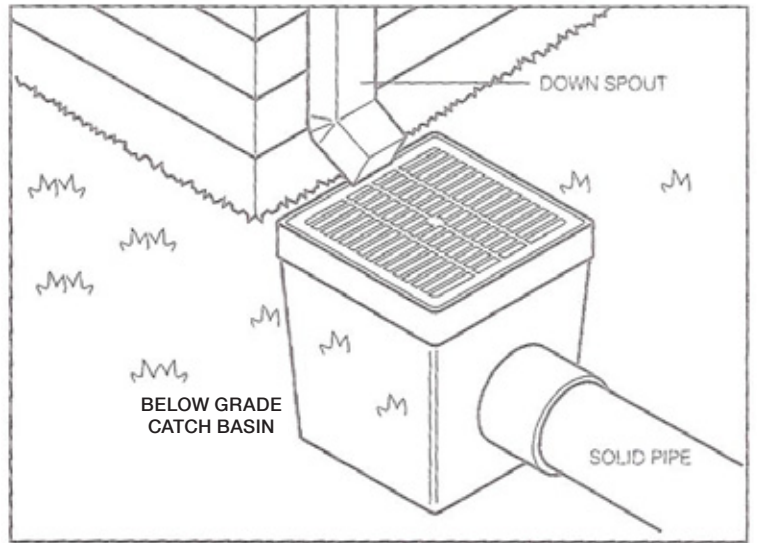


Downspout Extensions



Control rainwater drainage to save your flowers, plants and house foundation

Entry/tie-in from downspout (drainpipe) to underground drainage pipe

- Cut-off or extend downspout at end 'near' grade
- Bury 12" catch basin with grate, level with grade, below downspout
- Connect drainage pipe underground to catch basin

Advantages

- Gutter debris is trapped by catch basin grate reducing most clogging of drainage pipe
- Future settling issues are eliminated (no separating connections)
- Aesthetically pleasing look

If not properly controlled, drainage from your gutter runoff can cause costly damage to your home's landscape, basement and foundation. Grading the landscape is not enough to protect the foundation of your home.

Every downspout should have a downspout extension installed to direct the runoff a safe distance from your home.

Call us now, 816.916.5171
or check us out at www.greenleafkc.com